

TR- 75 SHC



Efficient, high-flow, hydraulically controlled water monitor (water cannon) for fire apparatus, Industrial pumper and aerial vehicles.

The TR- 75 SHC is specially designed to be compact, reliable and light firefighting water monitor for professionals . TR-75 SHC utilizes a cast vanned waterway to minimize turbulence. TR-products are stable, lasting and thoroughly tested in decades of use. Our products are manufactured hand-made and are of high quality and unique. Reliability, ease of use and safety are key aspects in our products not forgetting esthetical appearance.

Mechanical Features

- 4200 LPM Flow depending on the nozzle
- Manual travel override
- Hard anodized aluminum alloy waterway
- Weight: 13 kg
- Height: 336 mm
- Width: 302 mm
- Depth: 376 mm
- Inlet / Outlet: 75 mm (3") or customized

Control Features

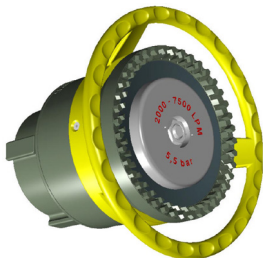
- Horizontal rotation travel 180° degrees or customized
- Vertical travel 135° degrees (-45/+90)

Options

- Absolute position sensors
- Wired or wireless communication
- Single speed, double speed or fullyproportional speed control
- Keep-Out Zones, Travel Speeds, Stow Position, and Oscillation



SPECIFICATIONS	
Max Flow	4200 LPM
Pressure	6-8 BAR
Inlet / Outlet	75 mm (3") or customized
Travel	V: -45° to +90° (135°) H: L178° to R178°
Communication	Radio controlled (optional)
Weight	13 kg



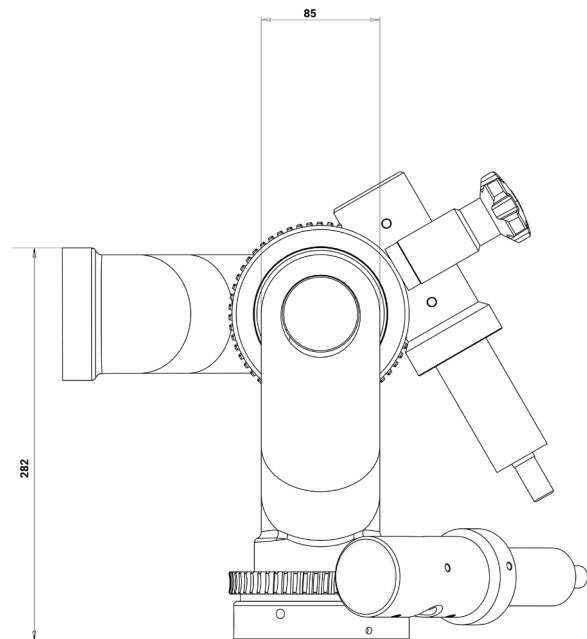
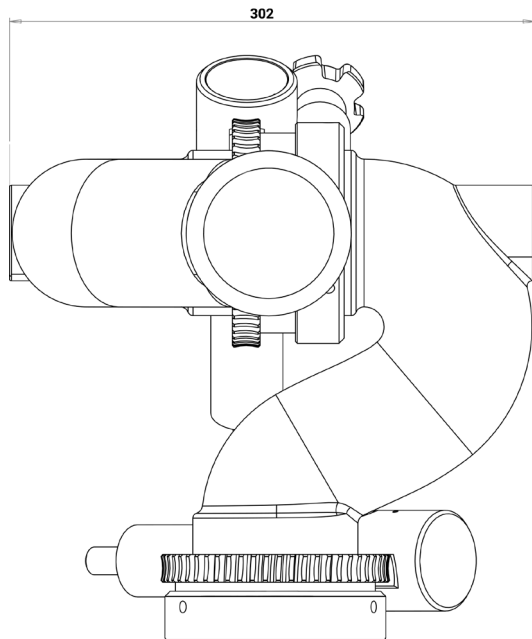
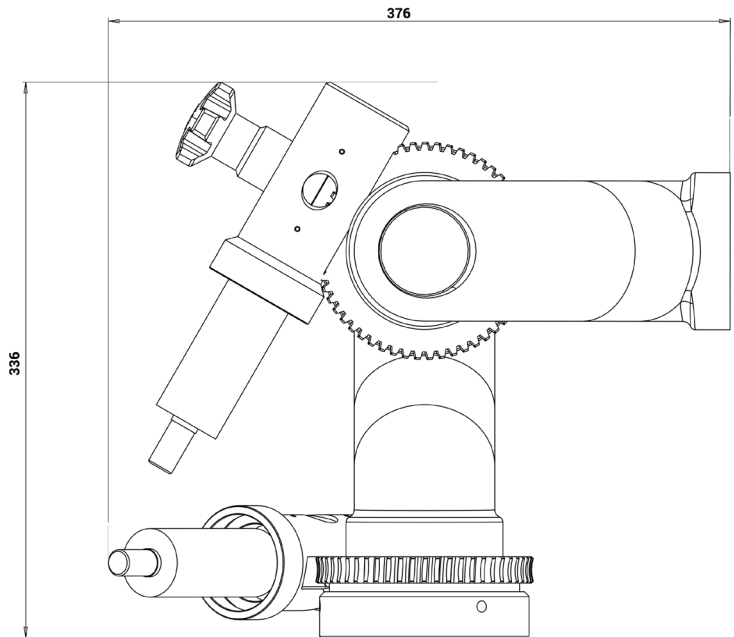
Autokador

The Autokador automatic constant pressure diffuser is made in aluminium alloy hard anodised and PTFE impregnation. The stream shape is achieved by hydraulically driven cylinder.

inlet	regulated flow rate (lpm)	working pressure (bar)	Dimensions (mm)	weight (kg)
2.5" NST-NH female	2000 - 5000	7	210 x 192 x 150	5,83



Technical drawings TR- 75 SHC



 **ESTERI**
Since 1968

 **RAUPLAN**
Since 1977

 **TR VESITYKIT**
Finland
Since 1981

TR-vesitykit Oy, Autoilijankatu 8, FI-20780 KAARINA, FINLAND, +358 2 2162 112
sales@trvesitykit.fi, www.trvesitykit.fi, VAT: 2638157-7